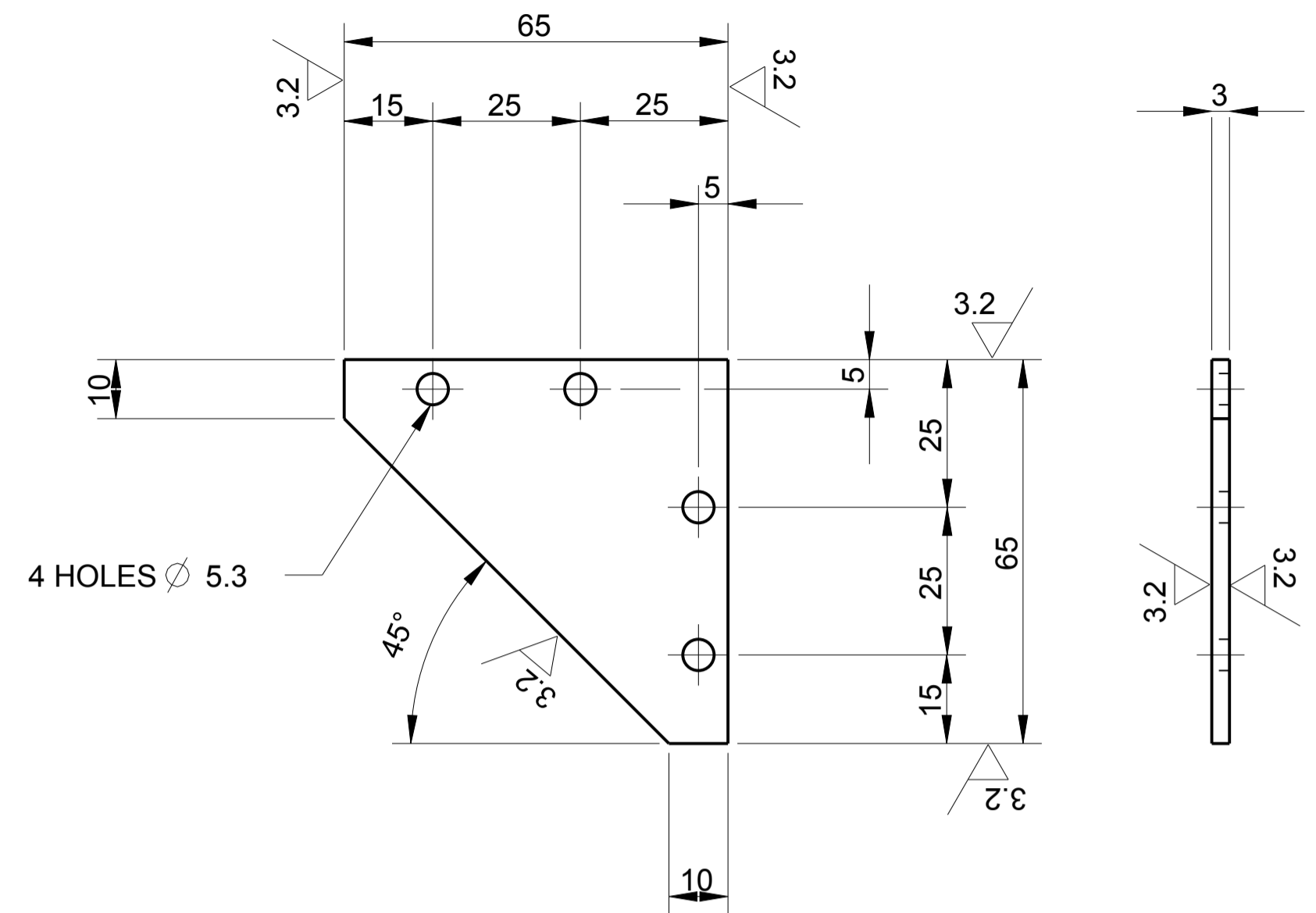
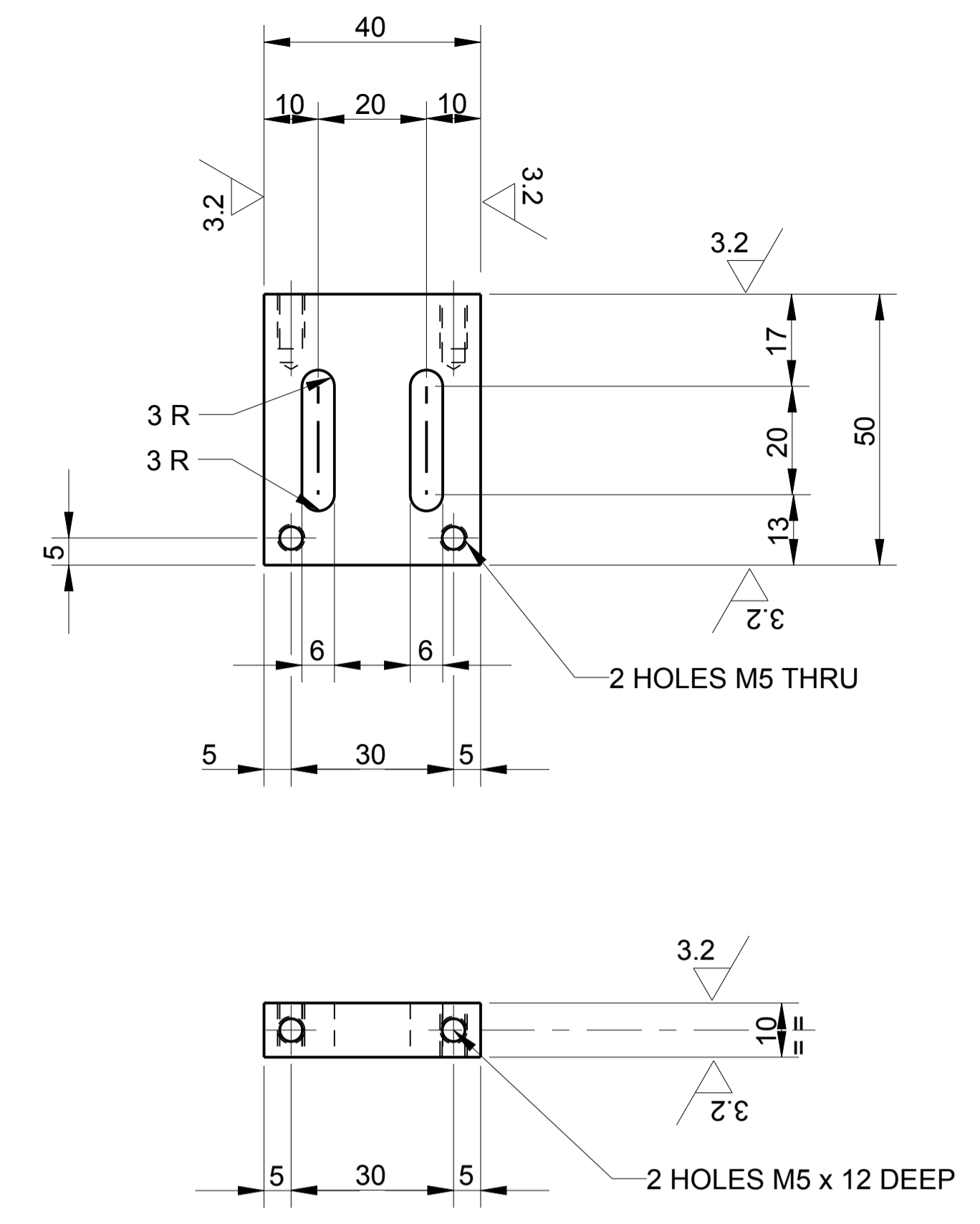


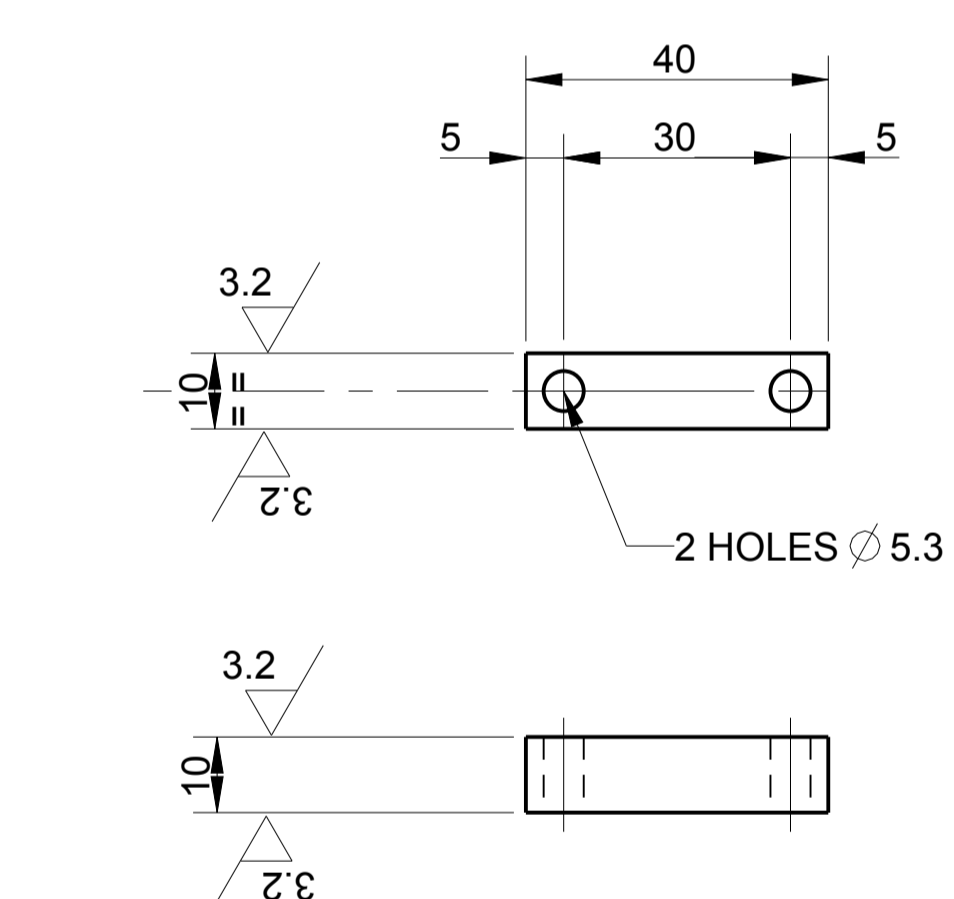
A



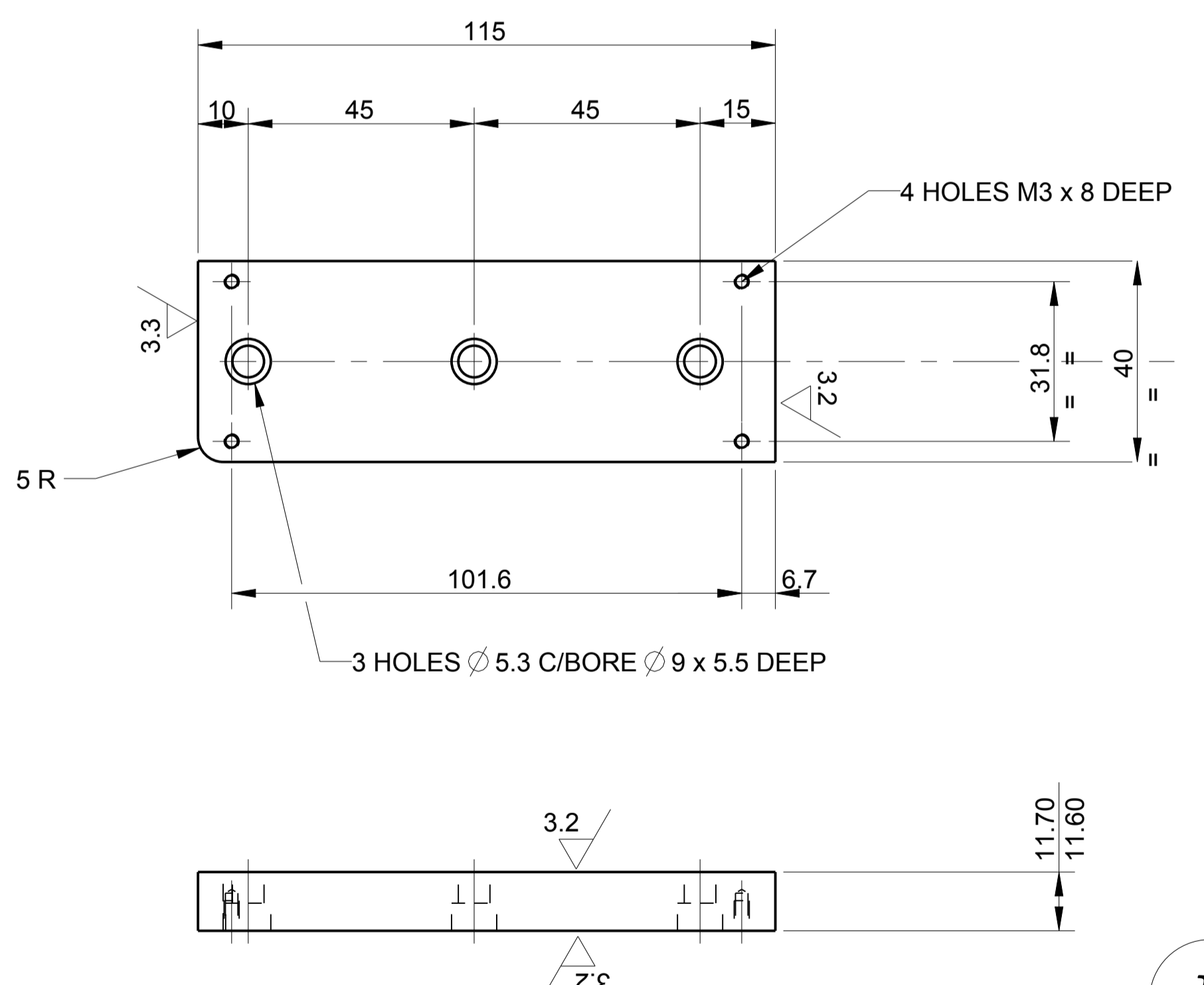
B



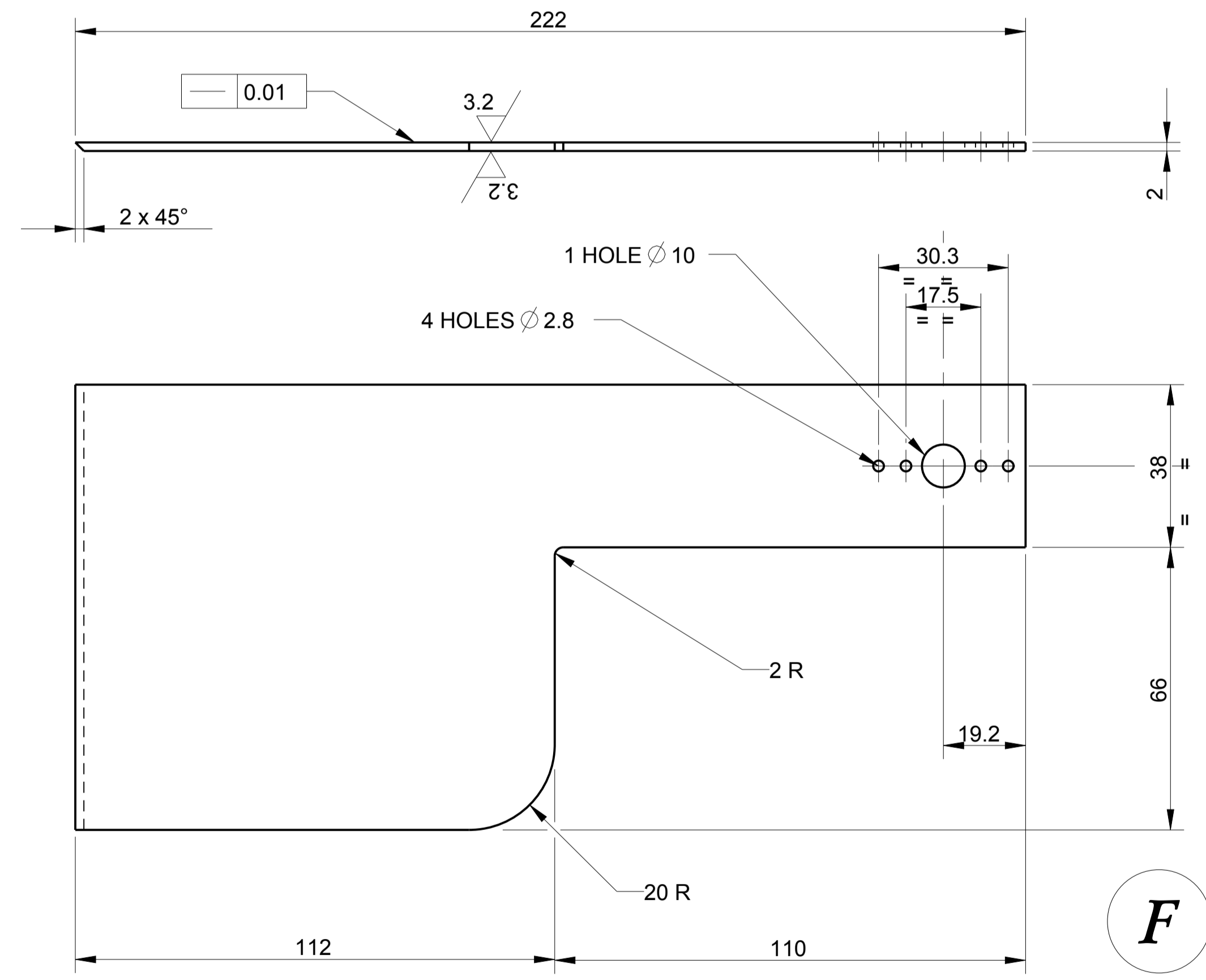
C



D



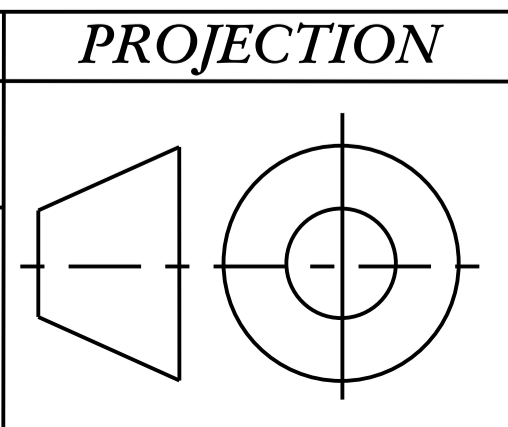
E



F

ITEM	REQD	DESCRIPTION	MATERIAL
F	1	ZABER LINEAR ACTUATOR BLADE	ALUMINIUM GRADE 6061
E	1	ZABER LINEAR ACTUATOR MOUNT	ALUMINIUM GRADE 6061
D	1	CABLE BRACKET CLAMP	ALUMINIUM GRADE 6061
C	1	CABLE BRACKET BASE	ALUMINIUM GRADE 6061
B	2	CABLE BRACKET CORNER BRACE	ALUMINIUM GRADE 6061
A	1	CABLE BRACKET RIB	ALUMINIUM GRADE 6061

DO NOT SCALE
EXPLANATION OF NOTES, SYMBOLS, DIMS: SEE BS 8888
 GENERAL NOTES
 DIMENSIONS mm
 REMOVE ALL BURRS AND SHARP CORNERS
 MAXIMUM CHAMFER 0.5 U.S.O
 LINEAR DIMENSIONS +/- 0.1 U.S.O
 ANGULAR DIMENSIONS +/- 0' 30" U.S.O
 SURFACES 3.2 *typ* U.S.O



SCALE	DRAWN	DATE	CHECKED	APPROVED	ASSEMBLY
1:1	T.G	07/12/12			COMPONENTS #

CONFORMS TO BS 8888
 AREA THAI NATIONAL TELESCOPE "THAILAND"
 DESCRIPTION
 DETAILS OF CABLE BRACKET RIB/ CORNER BRACES/ CLAMP BASE/
 CLAMP/ ZABER LINEAR ACTUATOR MOUNT & BLADE.
 THIS DRAWING IS STRICTLY CONFIDENTIAL,
 NOT FOR THIRD PARTY DISTRIBUTION.
 DRAWING NUMBER

ULT-SPEC-027

REV A

