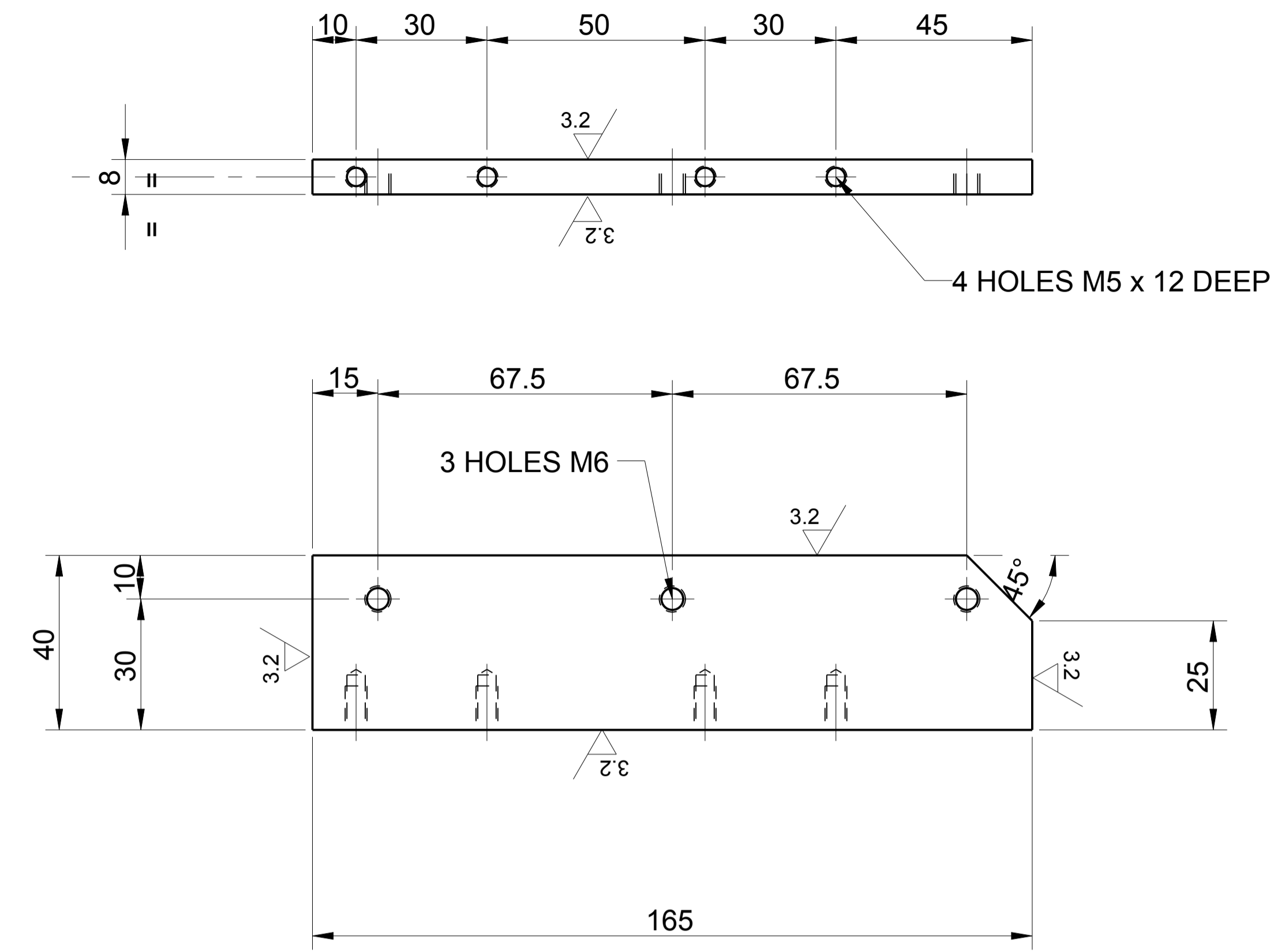
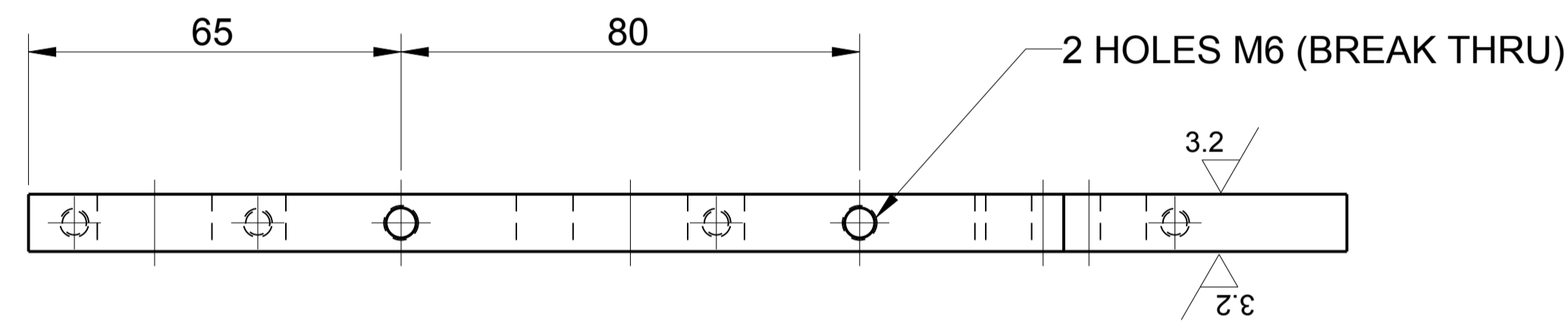


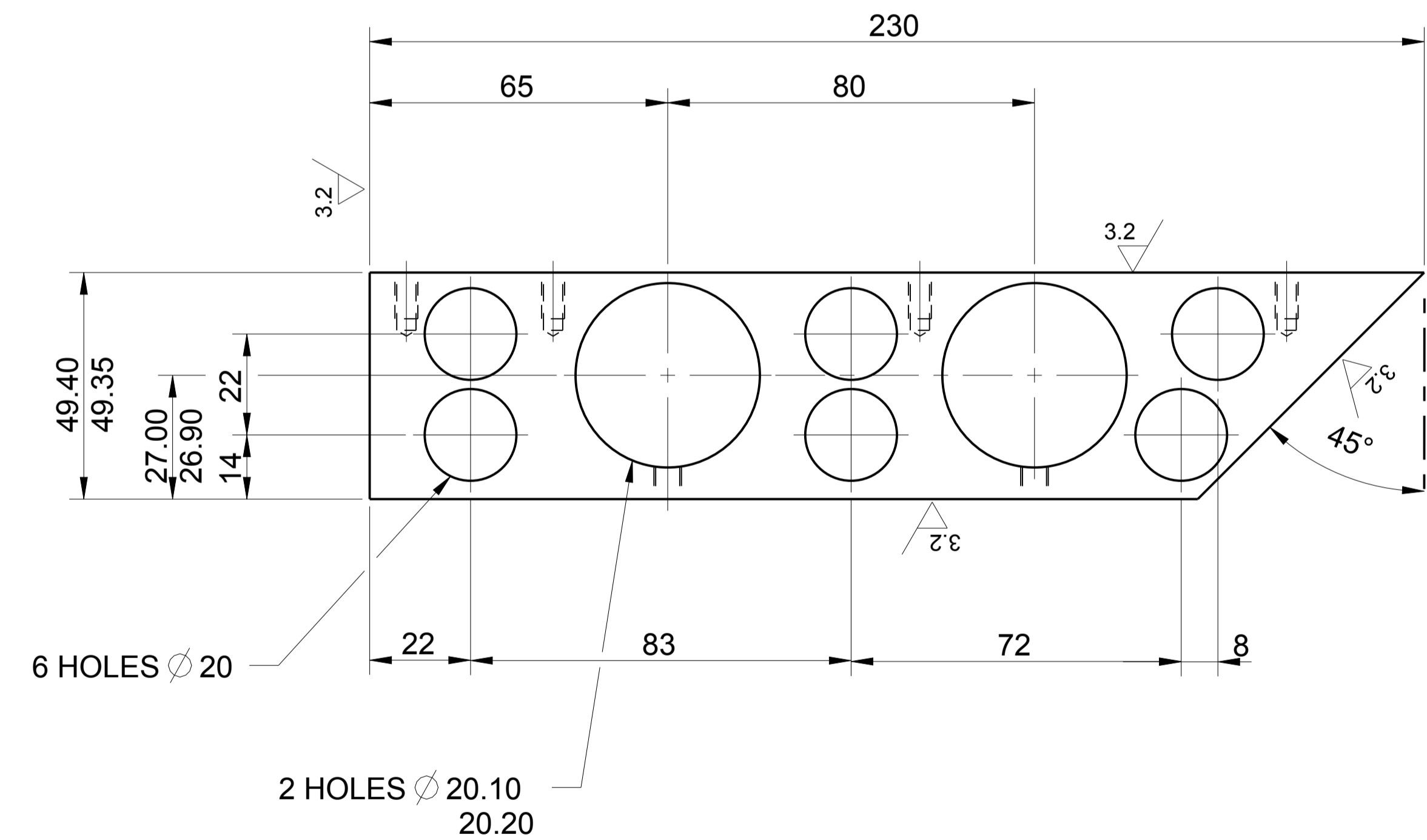
A



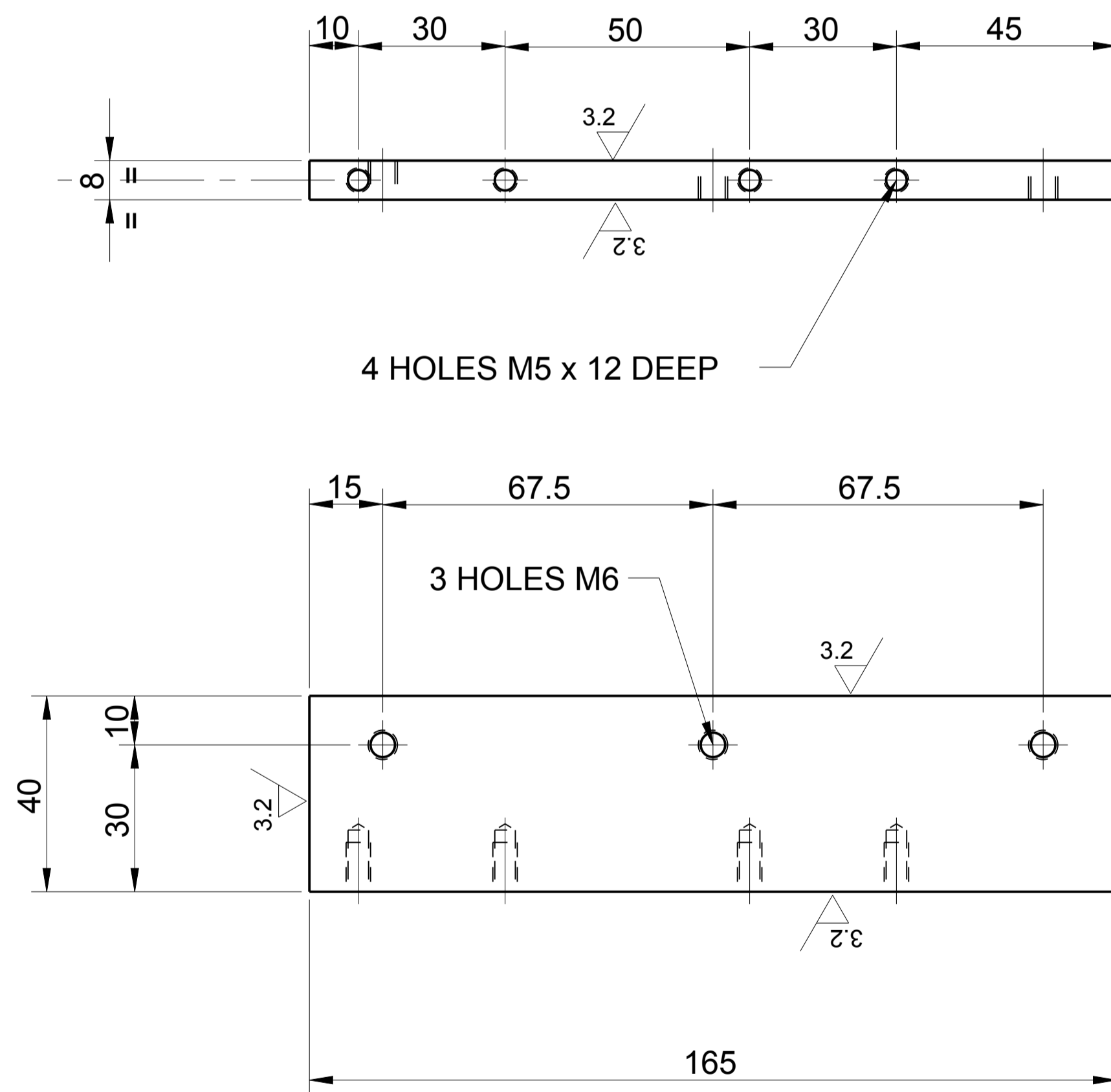
B



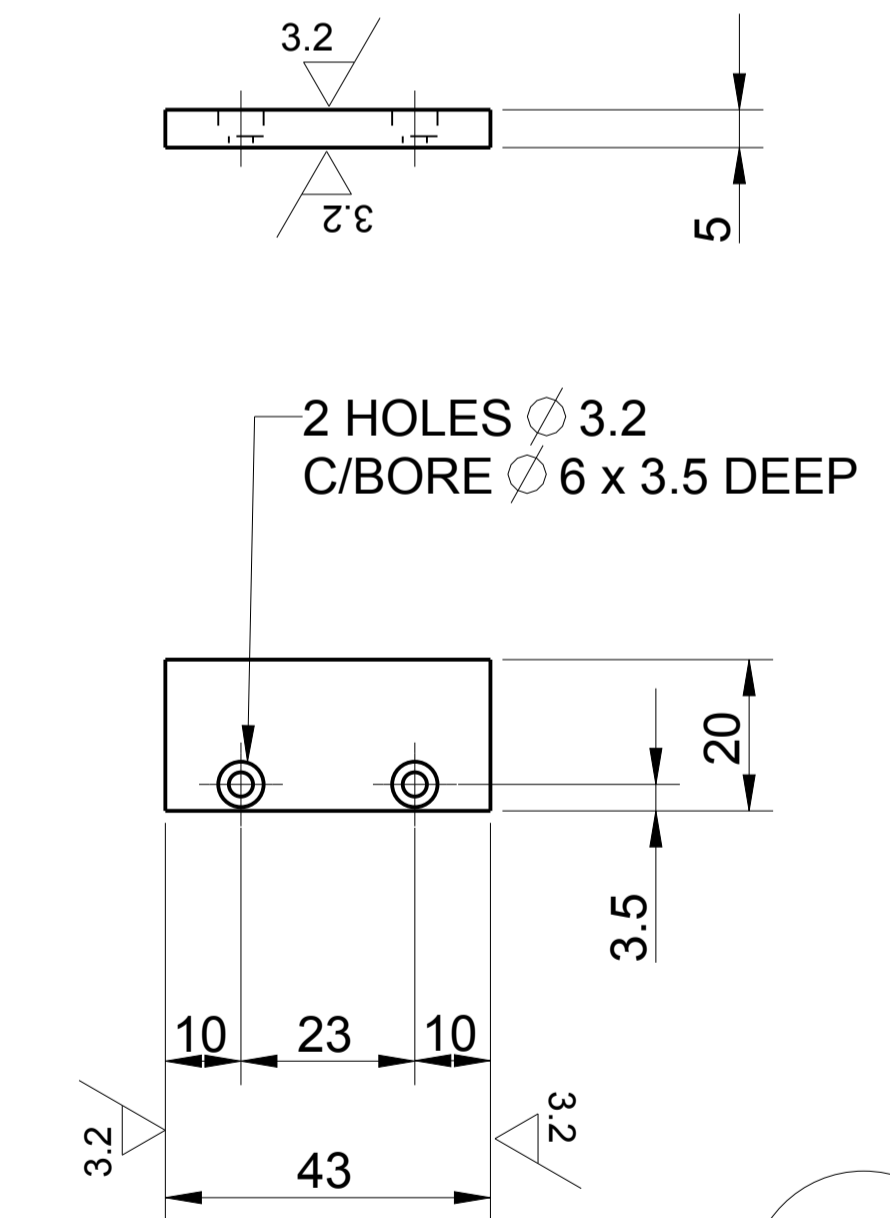
D



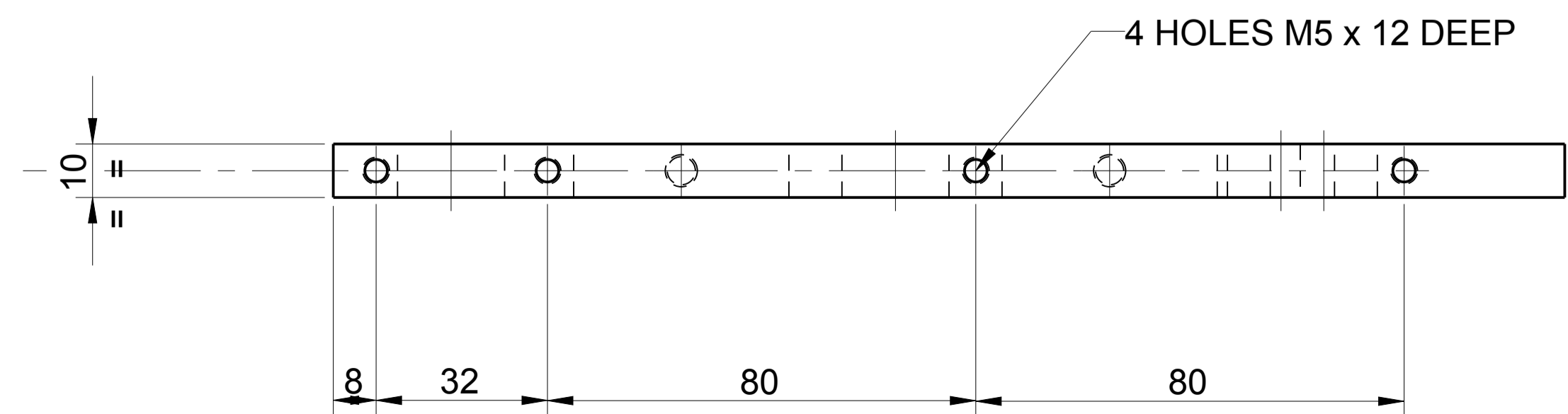
C



E



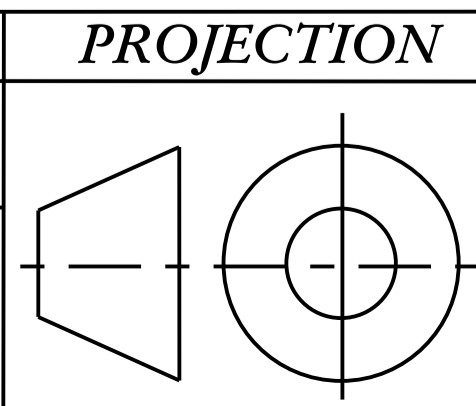
F



G

ITEM	REQD	DESCRIPTION	MATERIAL
E	1	FILTER WHEEL END PLATE	ALUMINIUM GRADE 6061
D	1	FILTER WHEEL SIDE PLATE (GRYOSTAT SIDE)	ALUMINIUM GRADE 6061
C	1	FILTER WHEEL STRUT	ALUMINIUM GRADE 6061
B	1	FILTER WHEEL SIDE PLATE (TELESCOPE SIDE)	ALUMINIUM GRADE 6061
A	1	FILTER WHEEL BASE PLATE	ALUMINIUM GRADE 6061

DO NOT SCALE
EXPLANATION OF NOTES, SYMBOLS, DIMS: SEE BS 8888
 GENERAL NOTES
 DIMENSIONS mm
 REMOVE ALL BURRS AND SHARP CORNERS
 MAXIMUM CHAMFER 0.5 U.S.O
 LINEAR DIMENSIONS +/- 0.1 U.S.O
 ANGULAR DIMENSIONS +/- 0° 30' U.S.O
 SURFACES 3.2 μ m U.S.O



SCALE	DRAWN	DATE	CHECKED	APPROVED	ASSEMBLY
1:1	T.G	19/09/12			COMPONENTS #

CONFORMS TO BS 8888

AREA THAI NATIONAL TELESCOPE "THAILAND"

DESCRIPTION DETAILS OF FILTER WHEEL BASE PLATE, SIDE PLATES, STRUT AND END STOP

THIS DRAWING IS STRICTLY CONFIDENTIAL, NOT FOR THIRD PARTY DISTRIBUTION.

DRAWING NUMBER **ULT-SPEC-021**

REV A

