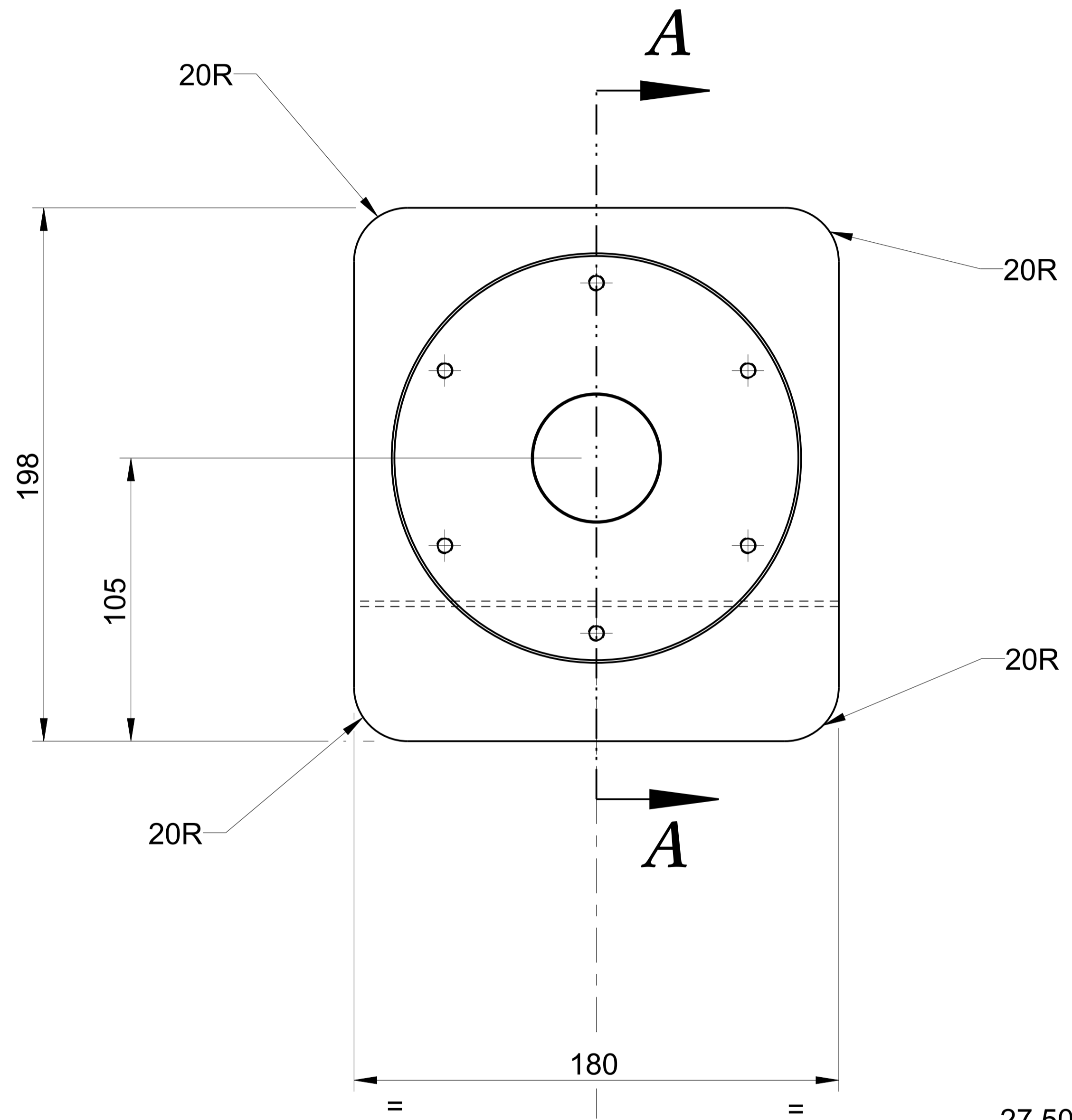


1 2 3 4 5 6 7 8 9 10 11 12 13 14 15 16

A  
B  
C  
D  
E  
F  
G  
H  
I  
J

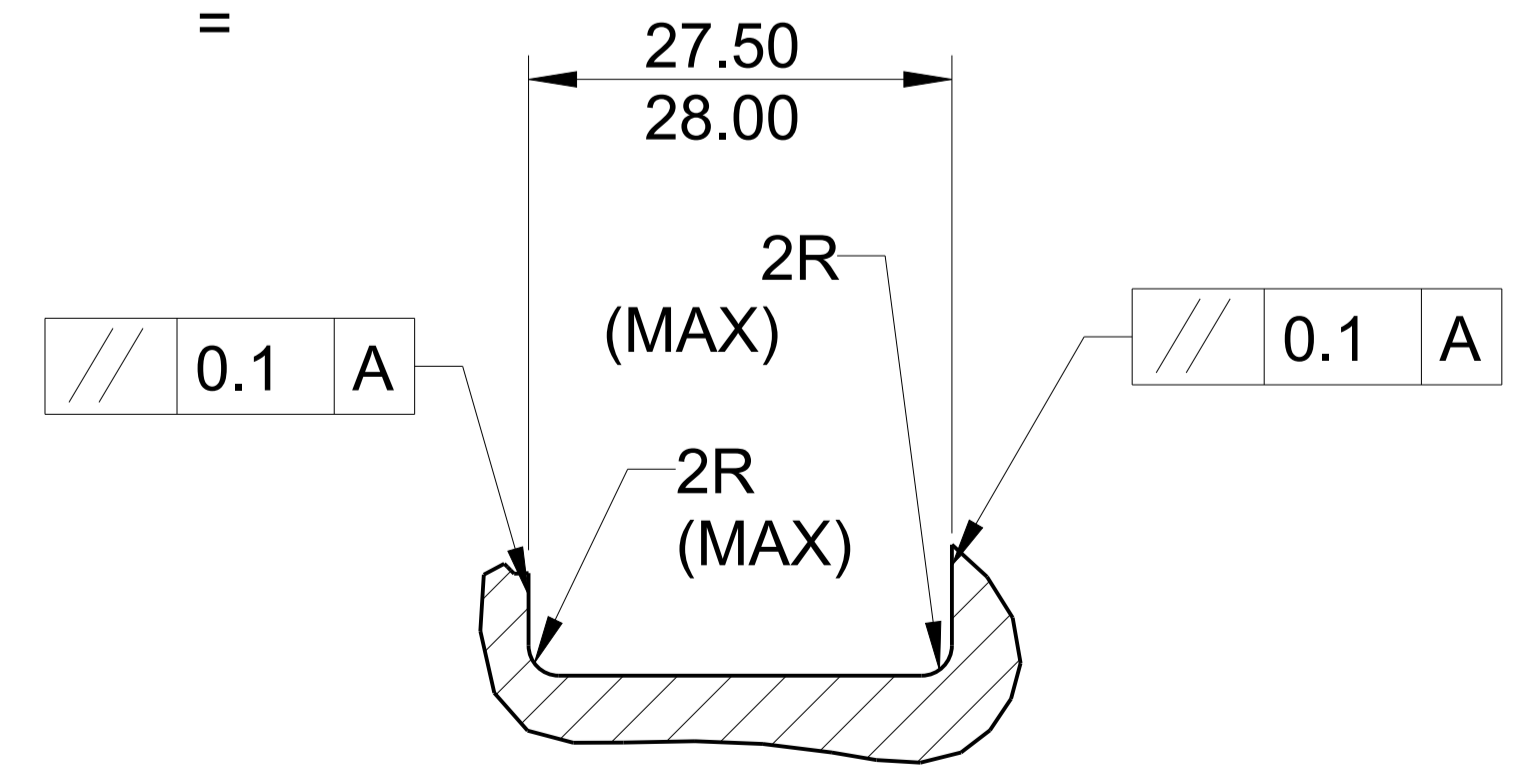
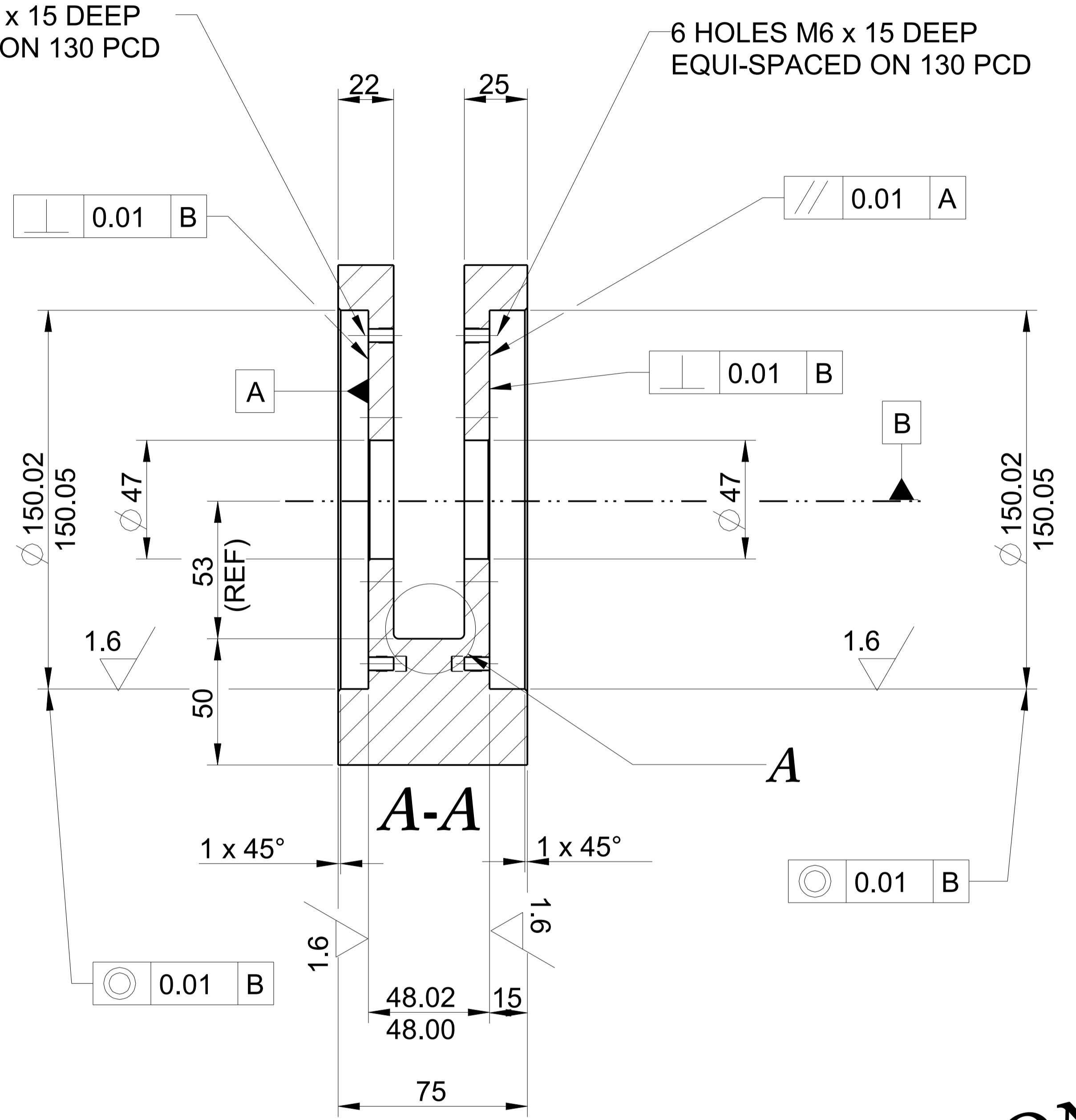


6 HOLES M6 x 15 DEEP  
EQUI-SPACED ON 130 PCD

6 HOLES M6 x 15 DEEP  
EQUI-SPACED ON 130 PCD

DIMENSION TO ACHIEVE CLOSE SLIDING FIT OVER  
LENS BARREL 3 FLANGE (MAX CLEARANCE 0.05)  
SEE DRAWING No ULT-SPEC-008

DIMENSION TO ACHIEVE CLOSE SLIDING FIT OVER  
LENS BARREL 2 FLANGE (MAX CLEARANCE 0.05)  
SEE DRAWING No ULT-SPEC-007



DETAIL A  
SCALE 2:1

**PROVISIONAL ENQUIRY ONLY  
NOT FOR MANUFACTURE**

**A**

CONFORMS TO BS 8888		ITEM	REQD	DESCRIPTION	MATERIAL
SCALE	DRAWN	DATE	CHECKED	APPROVED	ASSEMBLY
1:0.75 / 2:1	T.G	21/08/12			COMPONENTS #
AREA THAI NATIONAL TELESCOPE "THAILAND"					
DESCRIPTION DETAILS OF ALIGNMENT BLOCK					
THIS DRAWING IS STRICTLY CONFIDENTIAL. NOT FOR THIRD PARTY DISTRIBUTION.					
DRAWING NUMBER				REV	
ULT-SPEC-009				B	

**DO NOT SCALE**      **PROJECTION**

EXPLANATION OF NOTES,  
SYMBOLS, DIMS: SEE BS 8888

GENERAL NOTES  
DIMENSIONS mm  
REMOVE ALL BURRS AND SHARP CORNERS  
MAXIMUM CHAMFER 0.5 U.S.O  
LINEAR DIMENSIONS +/- 0.1 U.S.O  
ANGULAR DIMENSIONS +/- 0' 30" U.S.O  
SURFACES 3.2  $\mu$ m U.S.O

1 2 3 4 5 6 7 8 9 10

