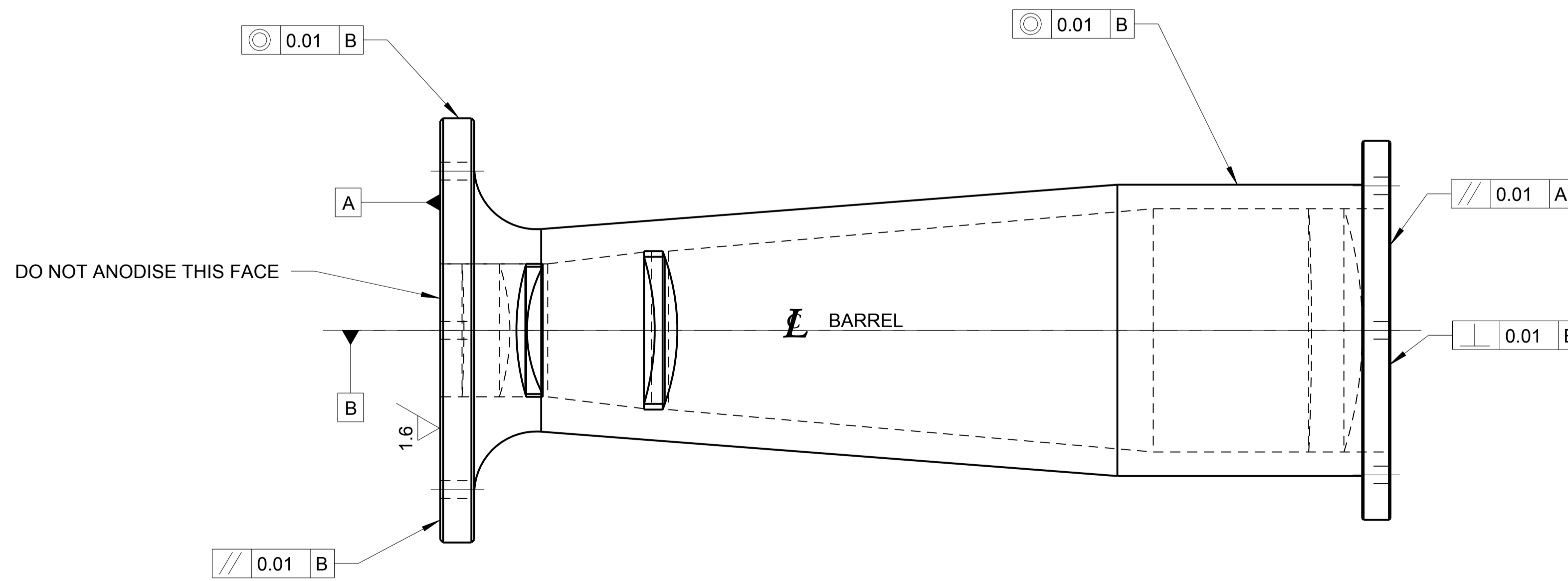
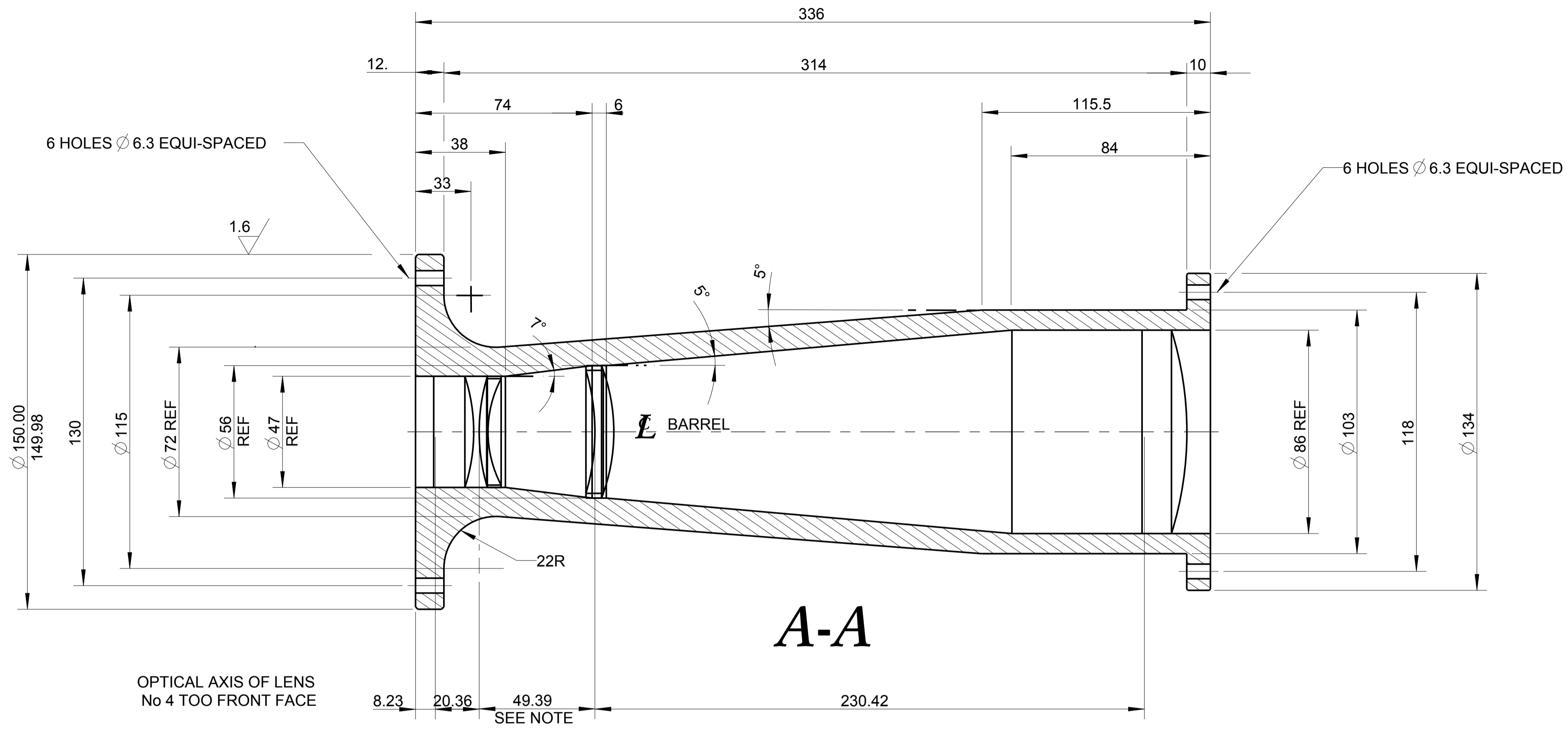


DIMENSION TO ACHIEVE CLOSE SLIDING FIT INSIDE ALIGNMENT BLOCK RECESS (MAX CLEARANCE 0.05) SEE DRAWING No ULT-SPEC-009



NOTE

DIMENSIONS FOR LENS SEPERATIONS ARE FROM THEIR CORRESPONDING OPTICAL AXES. SEE TULLY PEACOCK DOCUMENT DATED (22/01/13) OPTIMISED THICKNESSES

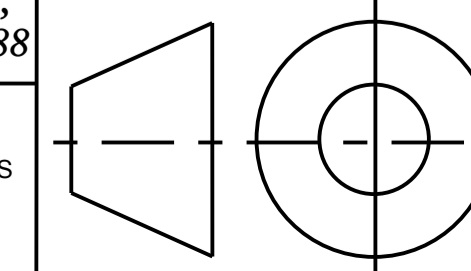
A

B	1	ANODISE MATT BLACK	AS REQUIRED	
A	1	LENS BARREL No 3	ALUMINIUM GRADE 6061	

CONFORMS TO BS 8888	ITEM	REQD	DESCRIPTION	MATERIAL
SCALE	DRAWN	DATE	CHECKED	APPROVED
1:1/3:1	T.G	10/05/12		

DO NOT SCALE

PROJECTION



EXPLANATION OF NOTES, SYMBOLS, DIMS: SEE BS 8888

GENERAL NOTES
DIMENSIONS mm
REMOVE ALL BURRS AND SHARP CORNERS
MAXIMUM CHAMFER 0.5 U.S.O
LINEAR DIMENSIONS +/- 0.1 U.S.O
ANGULAR DIMENSIONS +/- 0' 30" U.S.O
SURFACES 3.2 μ m U.S.O

AREA	THAI NATIONAL TELESCOPE "THAILAND"
DESCRIPTION	DETAILS OF LENS BARREL No 3 "FORE OPTICS GROUP"

THIS DRAWING IS STRICTLY CONFIDENTIAL, NOT FOR THIRD PARTY DISTRIBUTION.

DRAWING NUMBER	ULT-SPEC-008	REV	C
----------------	--------------	-----	---

