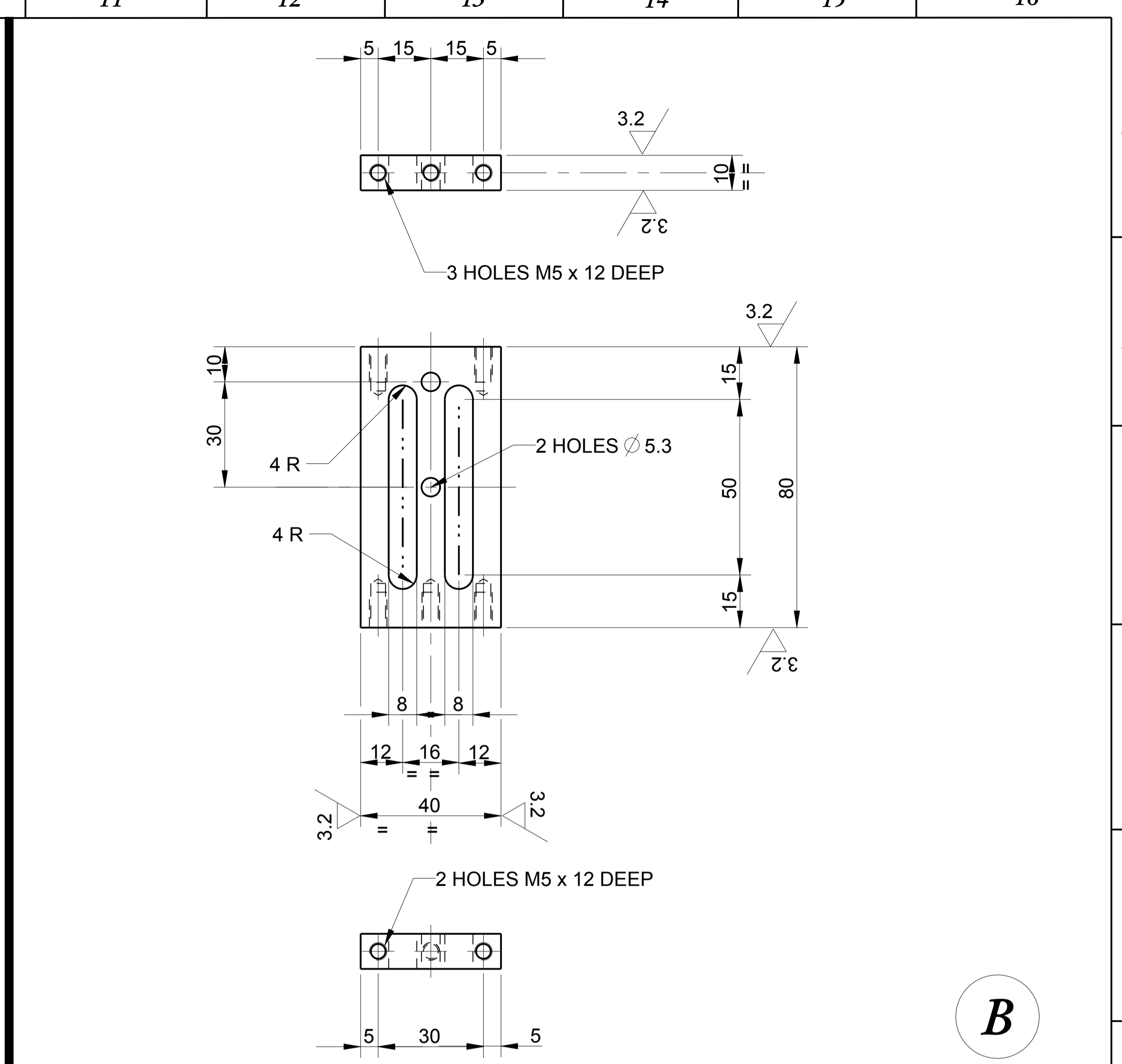
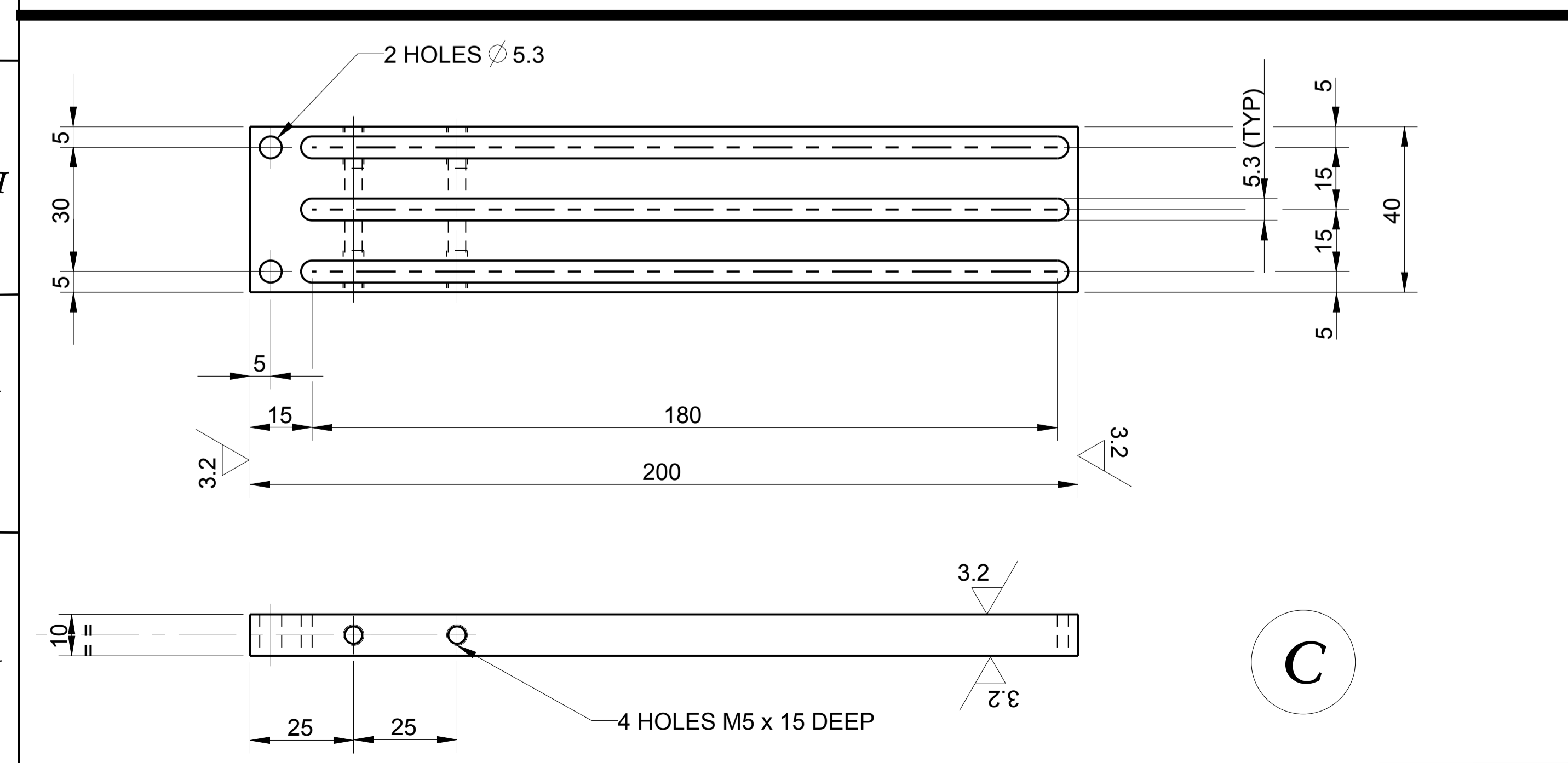


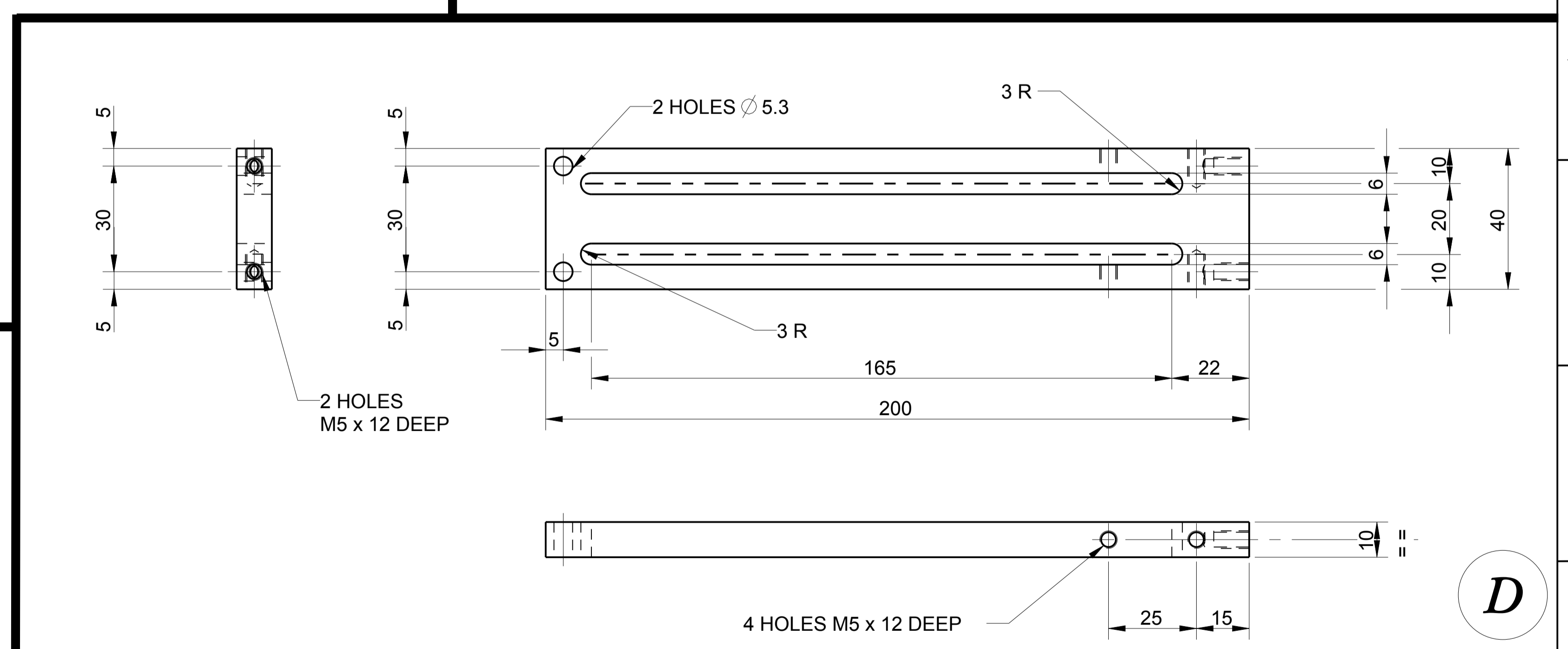
A



B



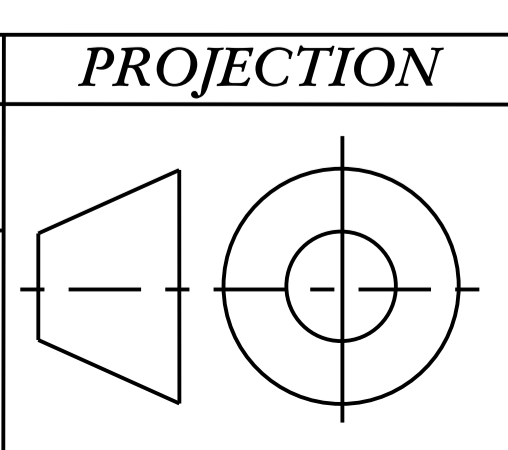
C



D

ITEM	REQD	DESCRIPTION	MATERIAL
D	1	LEVEL 2 CABLE BRACKET	ALUMINIUM GRADE 6061
C	1	CABLE SLIDING BRACKET	ALUMINIUM GRADE 6061
B	1	LEVEL 1 CABLE BRACKET	ALUMINIUM GRADE 6061
A	1	CABLE UPSTAND BRACKET	ALUMINIUM GRADE 6061

DO NOT SCALE
PROJECTION
 EXPLANATION OF NOTES, SYMBOLS, DIMS: SEE BS 8888
 GENERAL NOTES
 DIMENSIONS mm
 REMOVE ALL BURRS AND SHARP CORNERS
 MAXIMUM CHAMFER 0.5 U.S.O
 LINEAR DIMENSIONS +/- 0.1 U.S.O
 ANGULAR DIMENSIONS +/- 0' 30" U.S.O
 SURFACES 3.2 μ m U.S.O



SCALE	DRAWN	DATE	CHECKED	APPROVED	ASSEMBLY
1:1	T.G	04/12/12			COMPONENTS #

CONFORMS TO BS 8888
 AREA THAI NATIONAL TELESCOPE "THAILAND"
 DESCRIPTION DETAILS OF CABLE UPSTAND BRACKET, CABLE LEVEL 1 BRACKET, SLIDING BRACKET, AND CABLE LEVEL 2 BRACKET.
 THIS DRAWING IS STRICTLY CONFIDENTIAL, NOT FOR THIRD PARTY DISTRIBUTION.
 DRAWING NUMBER **ULT-SPEC-026**
 REV A

