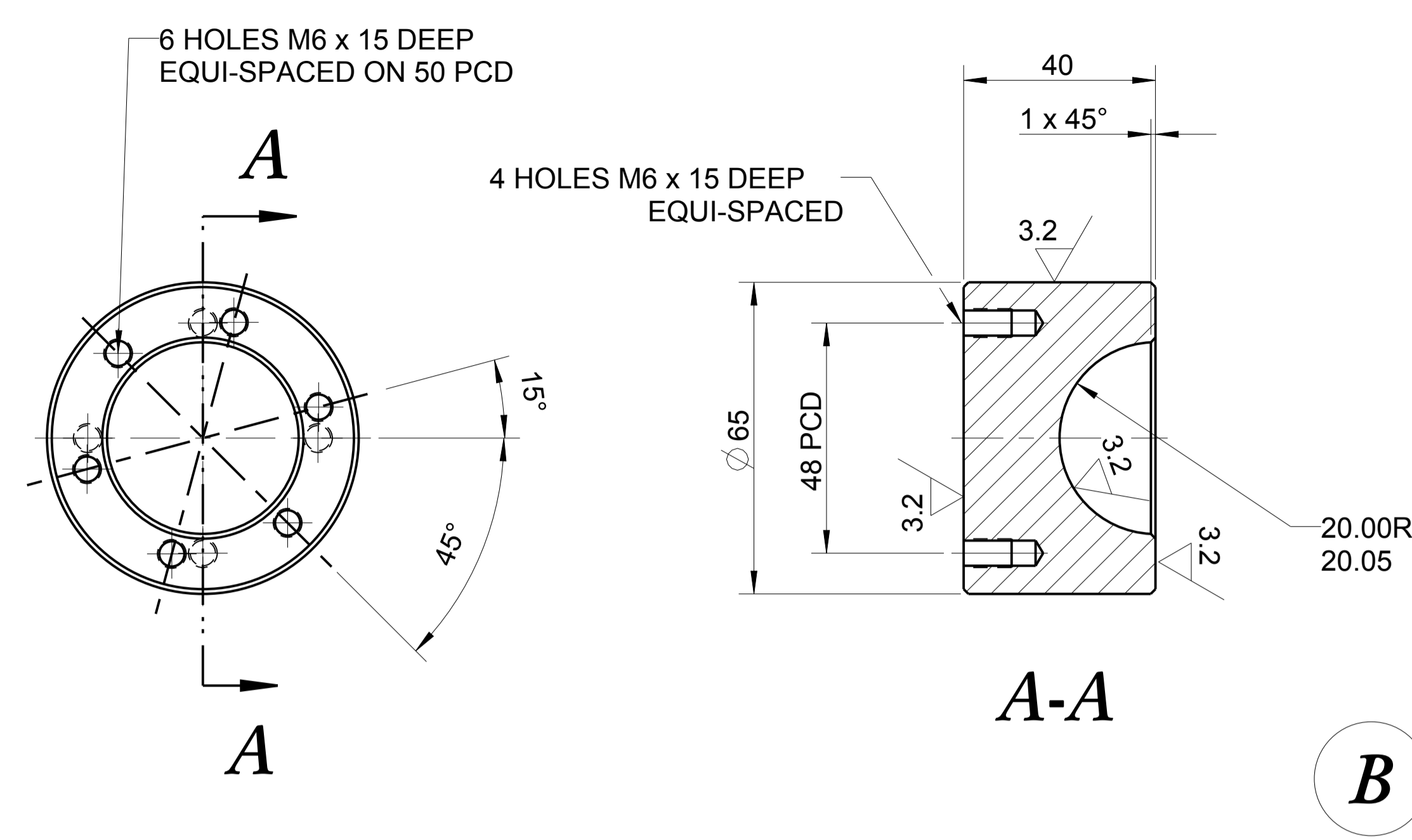
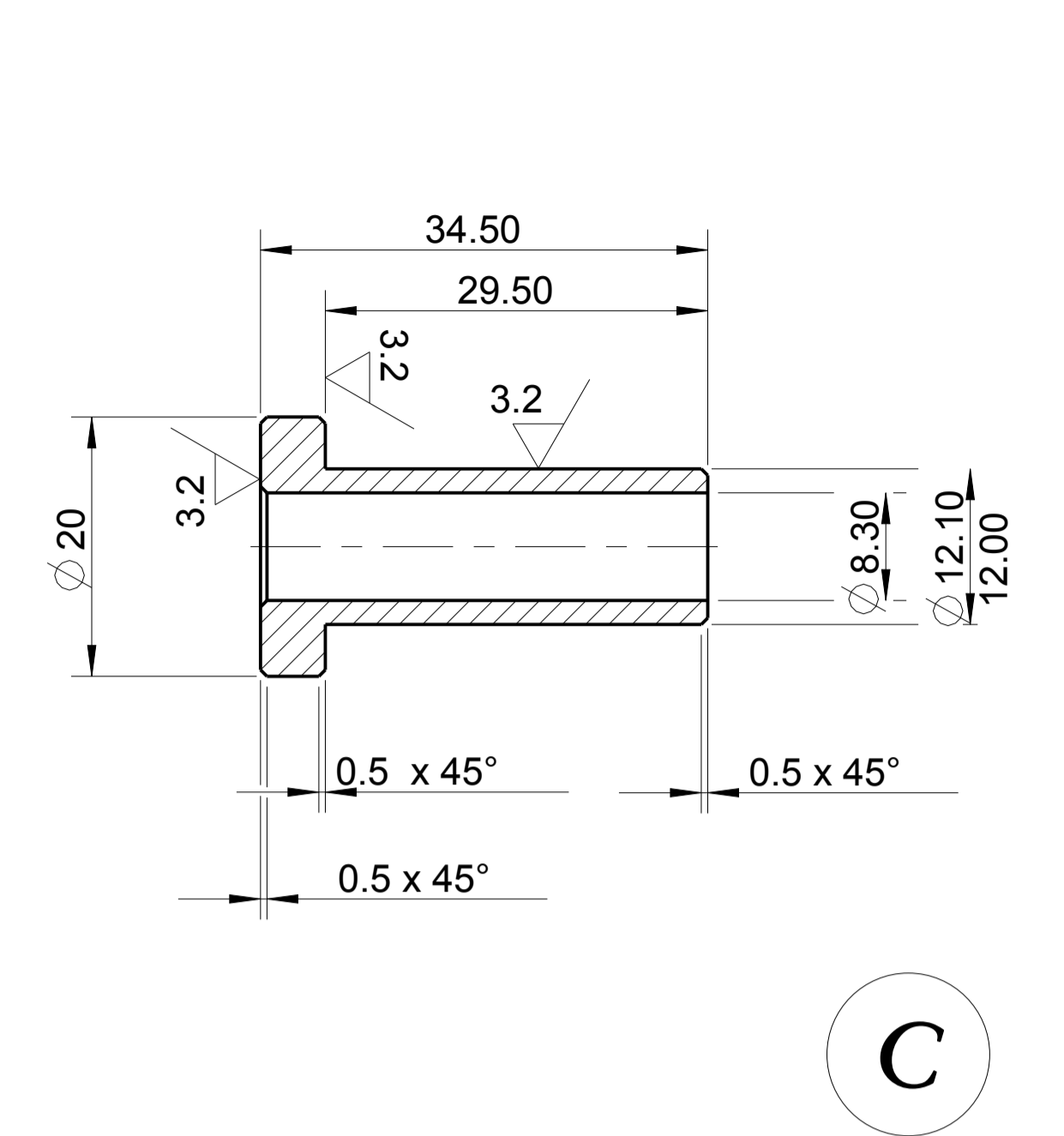


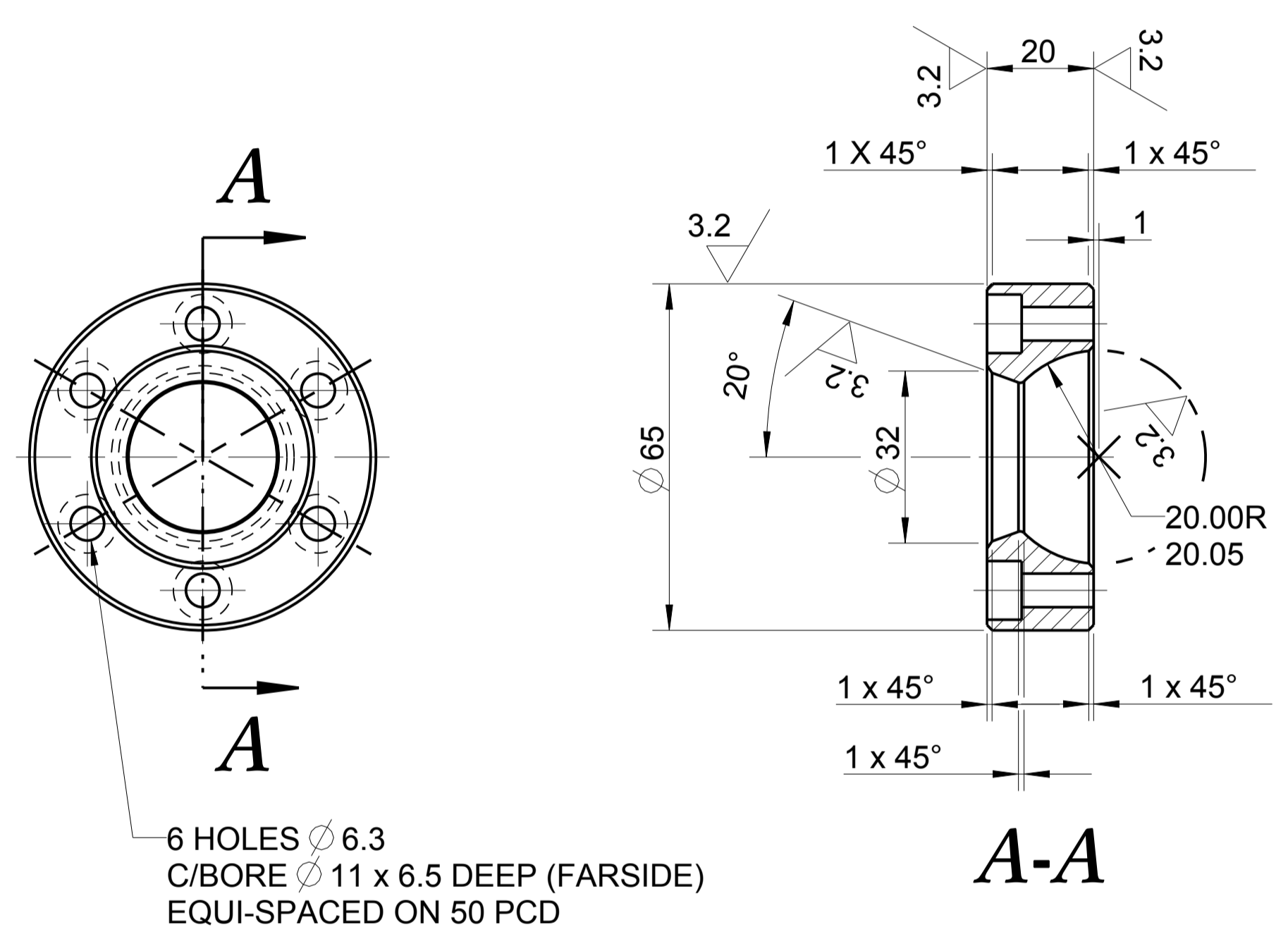
A



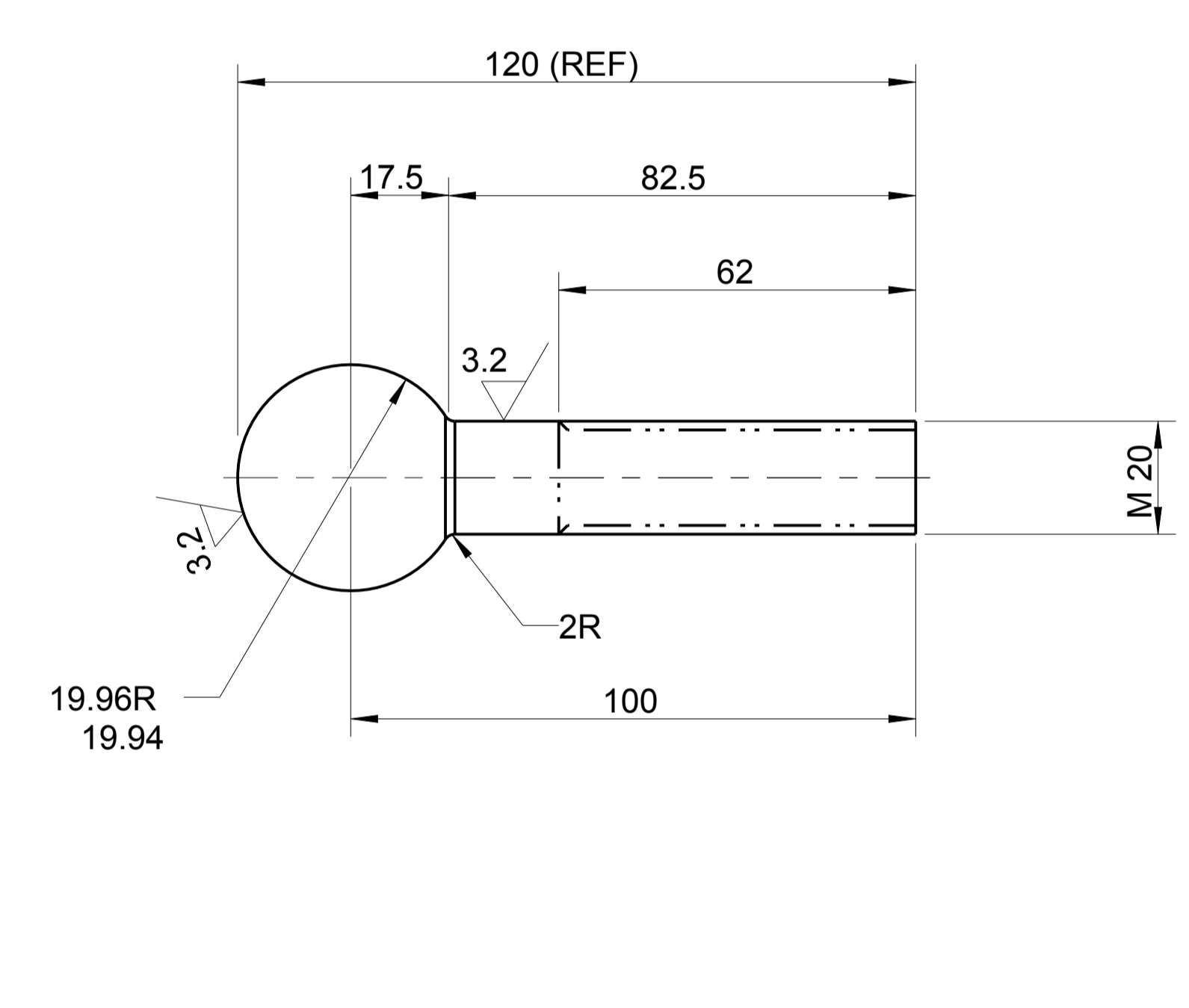
B



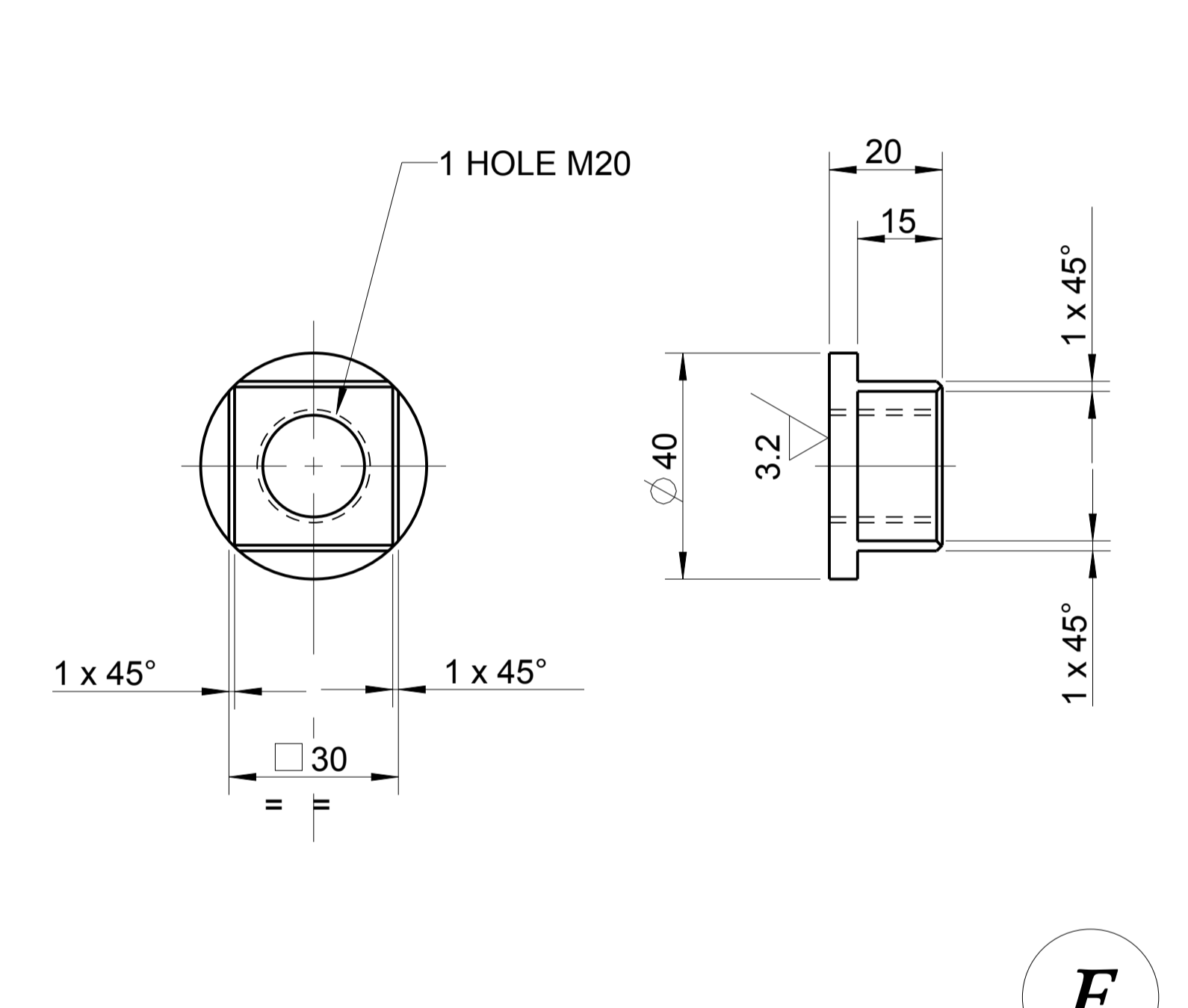
C



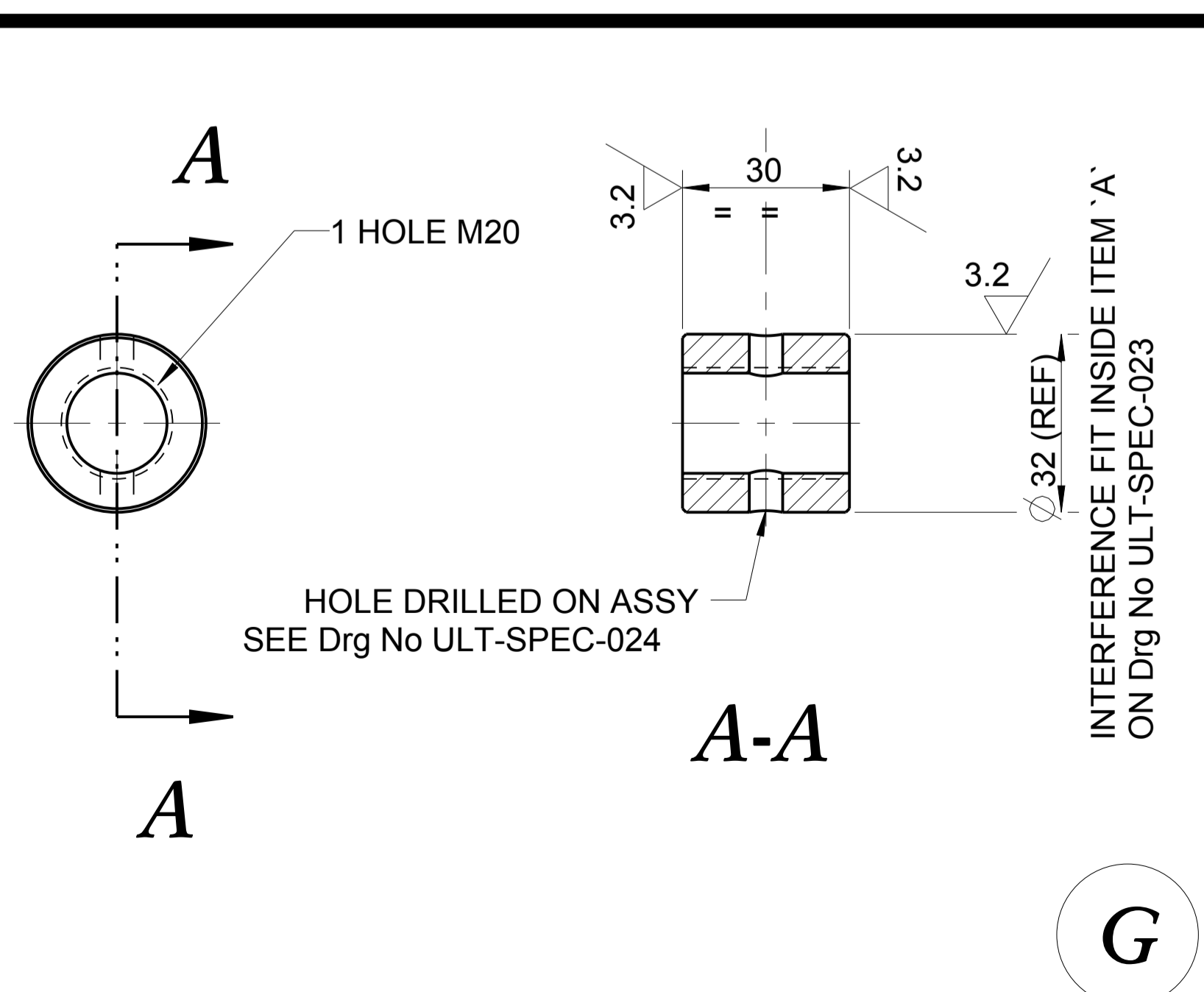
D



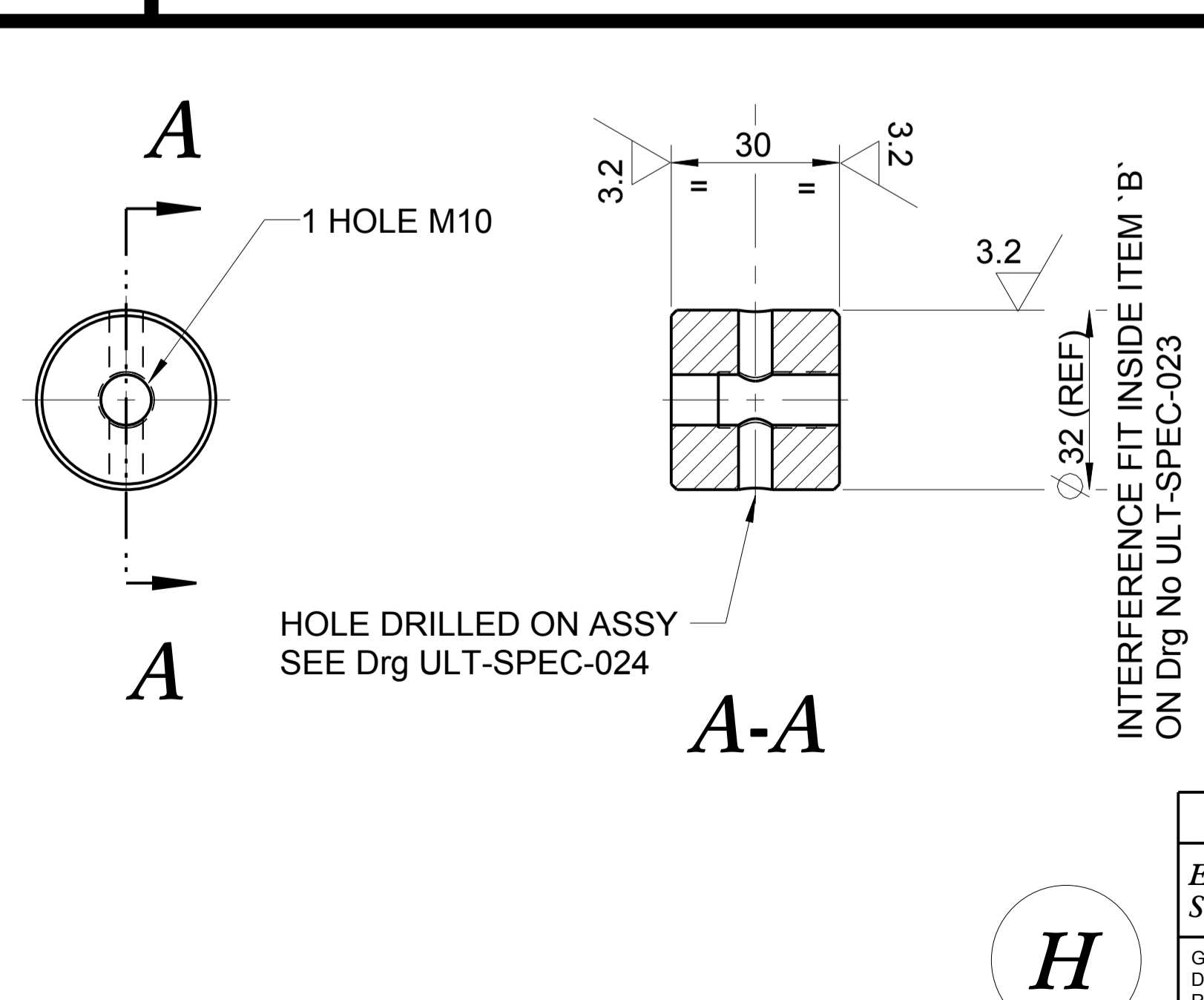
E



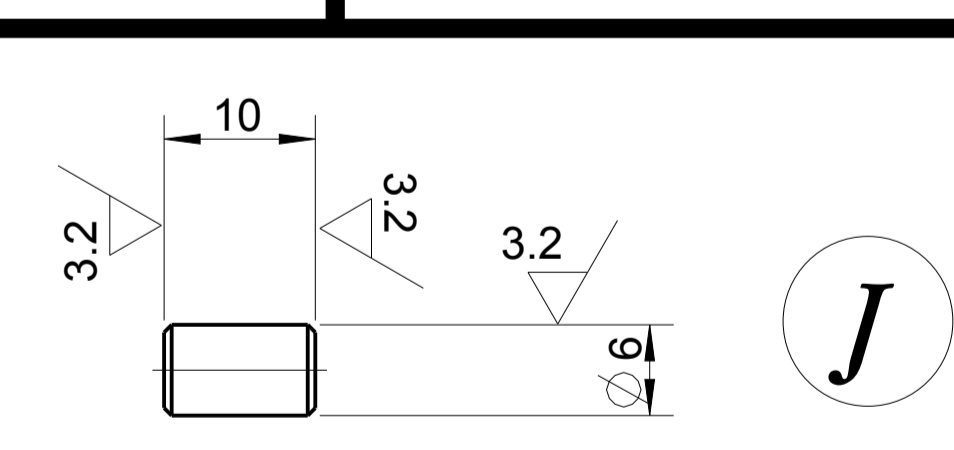
F



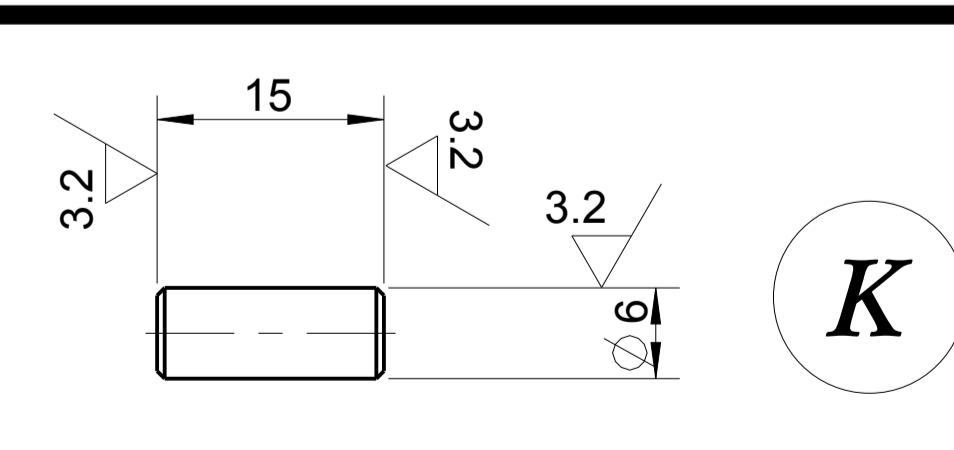
G



H



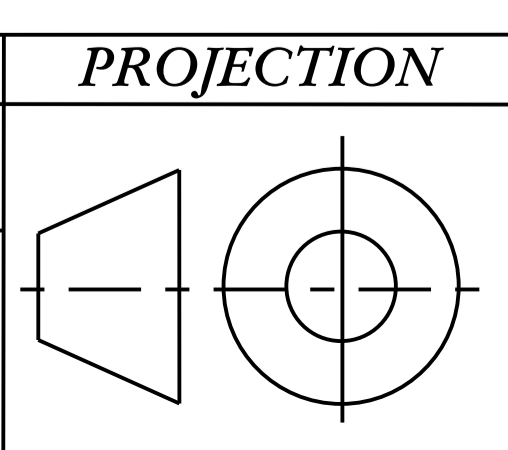
J



K

| ITEM | REQD | DESCRIPTION | MATERIAL |
|------|------|---------------------------|---------------------------|
| k | 24 | FIXED CARBON STRUT PIN | STAINLESS STEEL GRADE 316 |
| J | 16 | FLEXIBLE CARBON STRUT PIN | STAINLESS STEEL GRADE 316 |
| H | 8 | CARBON STRUT INSERT M10 | ALUMINIUM GRADE 6061 |
| G | 12 | CARBON STRUT INSERT M20 | ALUMINIUM GRADE 6061 |
| F | 12 | M20 LOCK NUT | ALUMINIUM GRADE 6061 |
| E | 12 | STRUT ADJUSTABLE LEG | STAINLESS STEEL GRADE 316 |
| D | 12 | CARBON STRUT LOCK RING | ALUMINIUM GRADE 6061 |
| C | 10 | BOLT ISOLATION BUSH | COMPOSITE G10/FR4 |
| B | 12 | CARBON STRUT SOCKET | ALUMINIUM GRADE 6061 |
| A | 8 | CARBON STRUT FOOT | ALUMINIUM GRADE 6061 |

DO NOT SCALE
EXPLANATION OF NOTES, SYMBOLS, DIMS: SEE BS 8888
 GENERAL NOTES
 DIMENSIONS mm
 REMOVE ALL BURRS AND SHARP CORNERS
 MAXIMUM CHAMFER 0.5 U.S.O
 LINEAR DIMENSIONS +/- 0.1 U.S.O
 ANGULAR DIMENSIONS +/- 0.30° U.S.O
 SURFACES 3.2 μ m U.S.O



| SCALE | DRAWN | DATE | CHECKED | APPROVED | ASSEMBLY |
|----------|-------|----------|---------|----------|--------------|
| 1:1/ 2:1 | T.G | 02/10/12 | | | COMPONENTS # |

CONFORMS TO BS 8888

AREA THAI NATIONAL TELESCOPE "THAILAND"

DESCRIPTION
 DETAILS OF CARBON STRUT FOOT, SOCKET, ISOLATION BUSH
 LOCKING COLLAR, ADJUSTABLE LEG, LOCK NUT, INSERTS AND PIN

THIS DRAWING IS STRICTLY CONFIDENTIAL,
 NOT FOR THIRD PARTY DISTRIBUTION.

DRAWING NUMBER **ULT-SPEC-022**

REV A

